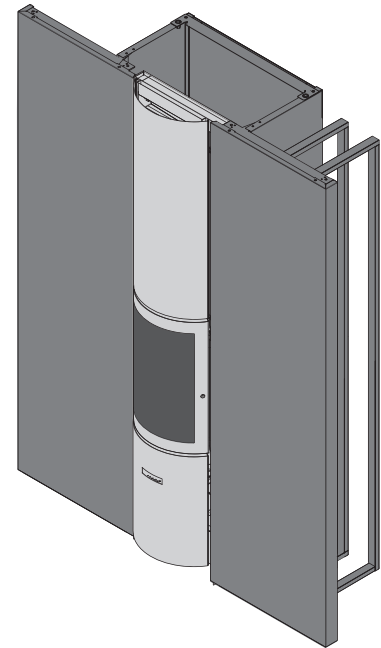


30-compact in P | The stove

stuv

3 doors	glass door, closed door, open fire
combustion chamber	compact
control of the fire	precision control of combustion air
air-tightness	control over the distribution of combustion air; sweeping of the glass, no consumption of room air, no CO in the living room
excellent efficiency	even at half-power
low pollutant levels	low emission of CO and fine particles even at half-power
economical	low wood consumption
for traditional, energy-efficient and wood-framed homes	✓
150-mm smoke outlet	above
adaptable	Various widths and finishes available, possible to have cladding made in stone, various storage solutions as optional



TECHNICAL SPECIFICATIONS

GENERAL

TYPE OF SYSTEM	fitted
MATERIALS	steel + cast iron
COLOUR	Stûv grey
LOADING	manual
FUEL	wood
POSITION OF LOGS	vertical
LENGTH OF LOGS	40 cm

WEIGHT / DIMENSIONS

WEIGHT OF STOVE	125 kg
Ø OF SMOKE DUCT	150 mm
Ø HOT-AIR OUTLETS	150 mm
Ø OUTSIDE AIR INLET	63 mm

AIR

DIRECT OUTSIDE INLET	✓
CONTROL OF PRIMARY AIR	✓
CONTROL OF SECONDARY AIR	✓
POST-COMBUSTION	✓
AIR-TIGHTNESS	+++
OPERATION WITHOUT FAN	✓
OVERHEATING INDICATOR	✗

PERFORMANCE

OUTPUT	6 kW
USAGE RANGE	3-8 kW
EFFICIENCY	81%
CO EMISSIONS	0.06%
FINE PARTICLE EMISSIONS	27 mg/Nm ³
RANGE OF WOOD CONSUMPTION	0.8 - 2.3 kg/h
MINIMUM DRAW	12 Pa
SMOKE MASS FLOW	5.5 g/s
AVERAGE SMOKE TEMPERATURE	332°C
CONSUMPTION OF ROOM AIR FOR COMBUSTION	15 m ³ /h
ENERGY EFFICIENCY INDEX (EEI)	108
ENERGY EFFICIENCY CLASS	A+

MIN. THICKNESS OF INSULATION BETWEEN STOVE AND COMBUSTIBLE MATERIALS

BACK FACE	0 cm
SIDE FACE	3 cm
UPPER FACE	3 cm
INSIDE FACE	0 cm

ACCESSORIES / EQUIPMENT

ACCUMULATION	✗
CUPBOARD	✗
BARBECUE	○
ASHTRAY	✓
CONVECTION	✓
FAÇADE	○
OPEN FIRE	✓
MOBILOBOX	○
GROUND PLATE	○
READY-TO-FIT	○
LOG RACK	○
ROTARY FUNCTION	✗
BASE	✗
FAN	○
RETRACTABLE GLASS	✗

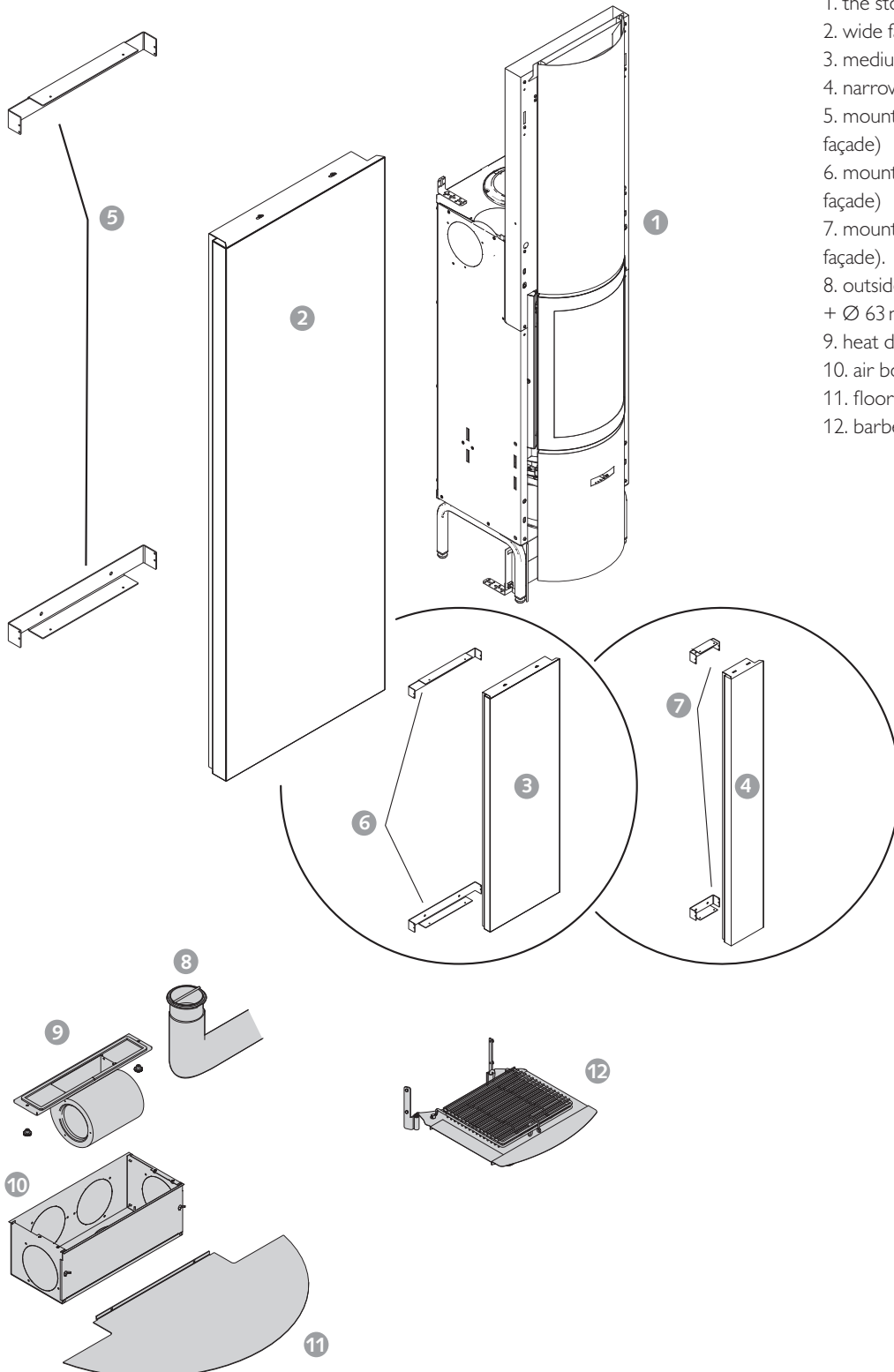
LEGEND

✓	STANDARD
✗	UNAVAILABLE
○	OPTIONAL

30-compact in P | Cladding

THE BASIC STOVE AND ITS OPTIONAL FEATURES

CLADDING PARALLEL TO WALL



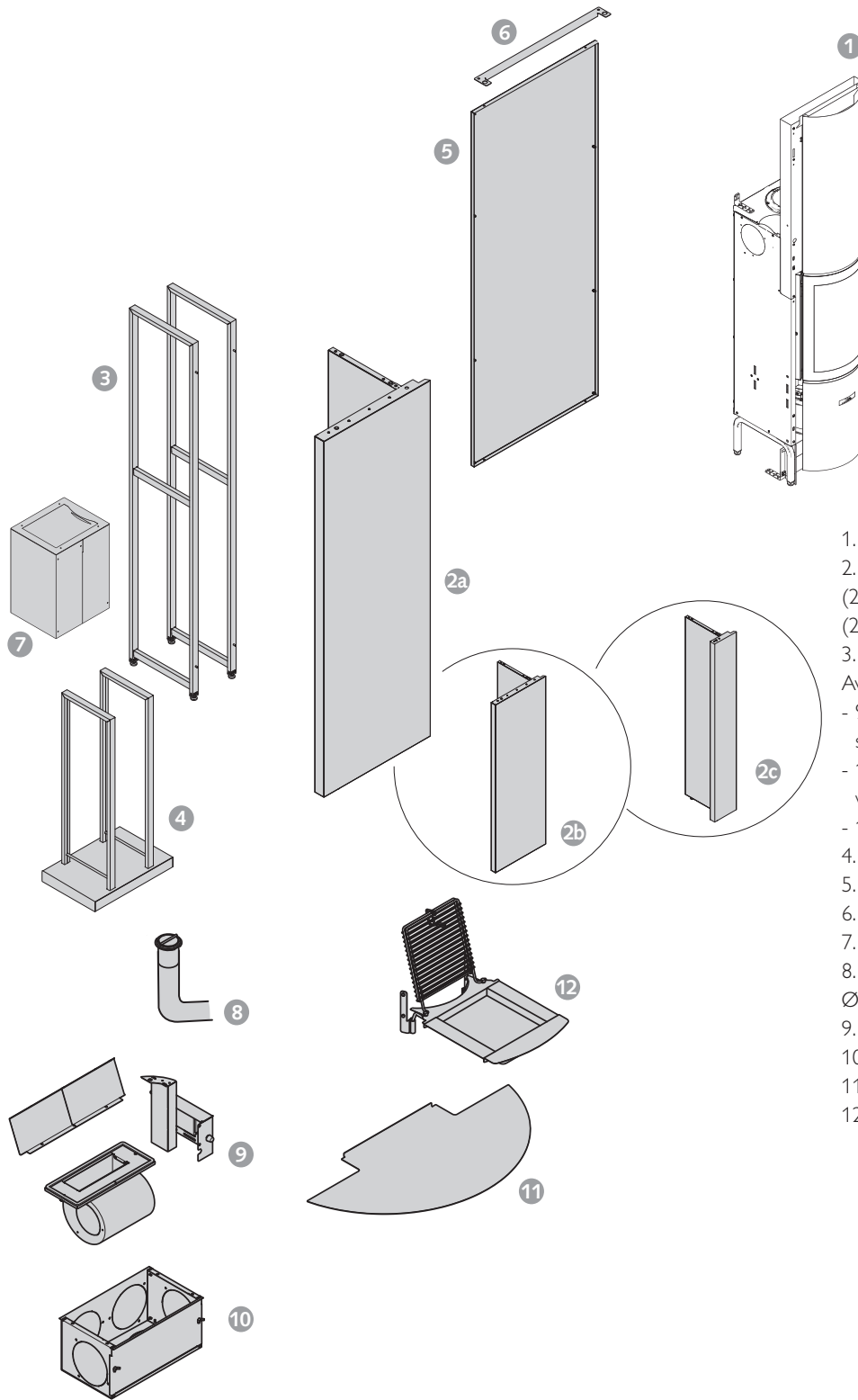
1. the stove
2. wide façade (680 mm)
3. medium façade (580 mm)
4. narrow façade (280 mm)
5. mounting angle (for wide façade)
6. mounting angle (for medium façade)
7. mounting angle (for narrow façade).
8. outside air intake kit: Flue outlet + Ø 63 mm flexible tubing (3 m)
9. heat distribution kit (ventilator)
10. air box
11. floor finishing plate
12. barbecue kit

30-compact in P | Cladding



THE BASIC STOVE AND ITS OPTIONAL FEATURES

FIREPLACE TO BE FITTED PARALLEL TO THE WALL



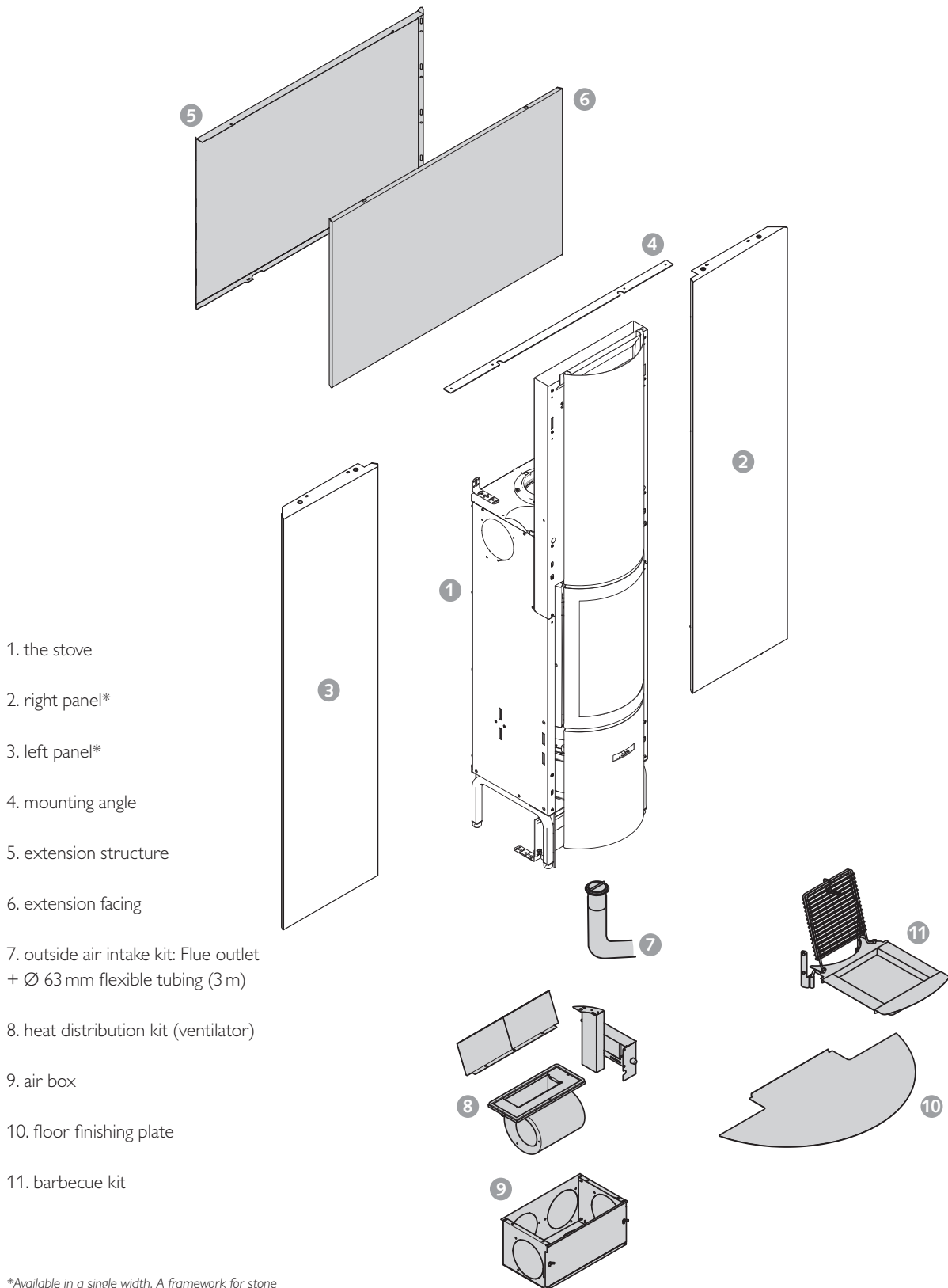
1. the stove
2. ready-to-fit: available in wide (2a), medium (2b) and narrow (2c) versions
3. log storage unit
Available in 3 sizes:
 - 900 mm height (compatible with storing the log trolley),
 - 1340 mm height (compatible with storing the Mobilobox)
 - 1880 mm height
4. mobile log holder
5. back framework
6. angle bracket
7. mobilobox
8. outside air intake kit: flue outlet
Ø 63 mm flexible tubing (3 m)
9. ventilation kit
10. air case
11. floor finishing plate
12. barbecue kit

30-compact in P | Cladding



THE BASIC STOVE AND ITS OPTIONAL FEATURES

CORNER CLADDING



- 1. the stove
- 2. right panel*
- 3. left panel*
- 4. mounting angle
- 5. extension structure
- 6. extension facing
- 7. outside air intake kit: Flue outlet + Ø 63 mm flexible tubing (3 m)
- 8. heat distribution kit (ventilator)
- 9. air box
- 10. floor finishing plate
- 11. barbecue kit

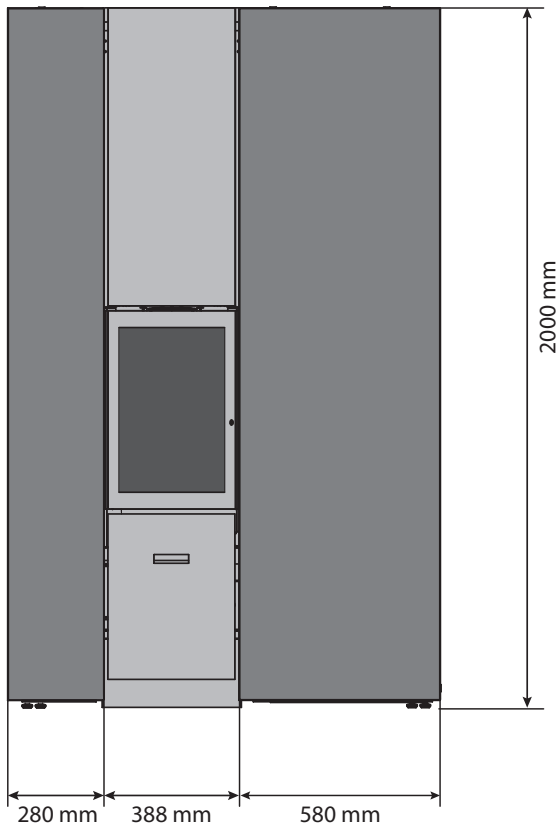
*Available in a single width. A framework for stone facings is not available for corner cladding.

30-compact in P | Cladding

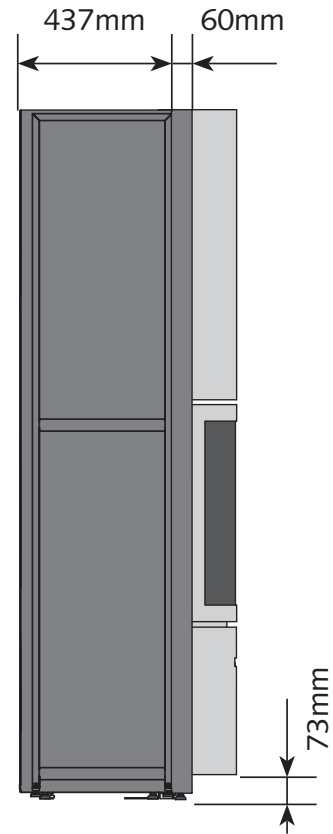


DIMENSIONS OF THE 30-COMPACT IN "P" - CLADDING PARALLEL TO WALL*

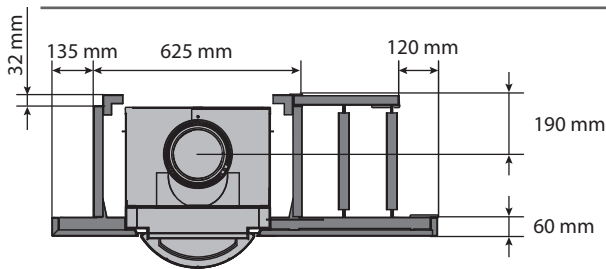
VIEW OF FRONT



VIEW OF PROFILE

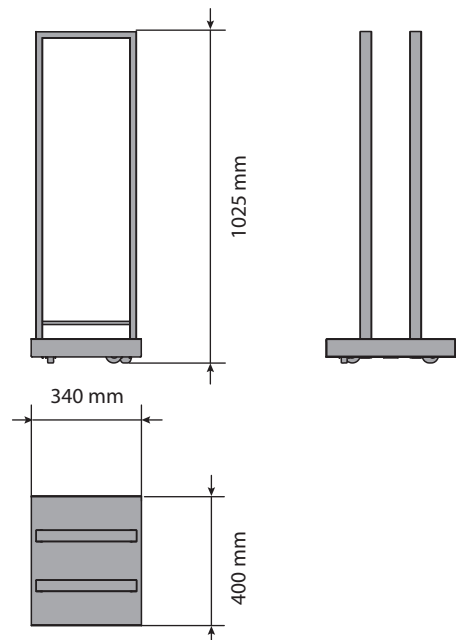


VIEW FROM ABOVE

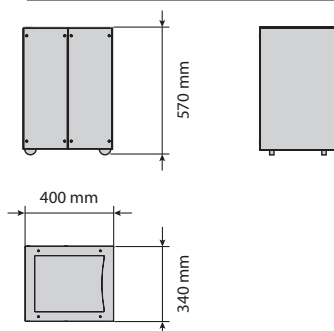


MOBILE LOG HOLDER 40 CM

StuvGrey (ref. 11980503)



MOBILOBOX



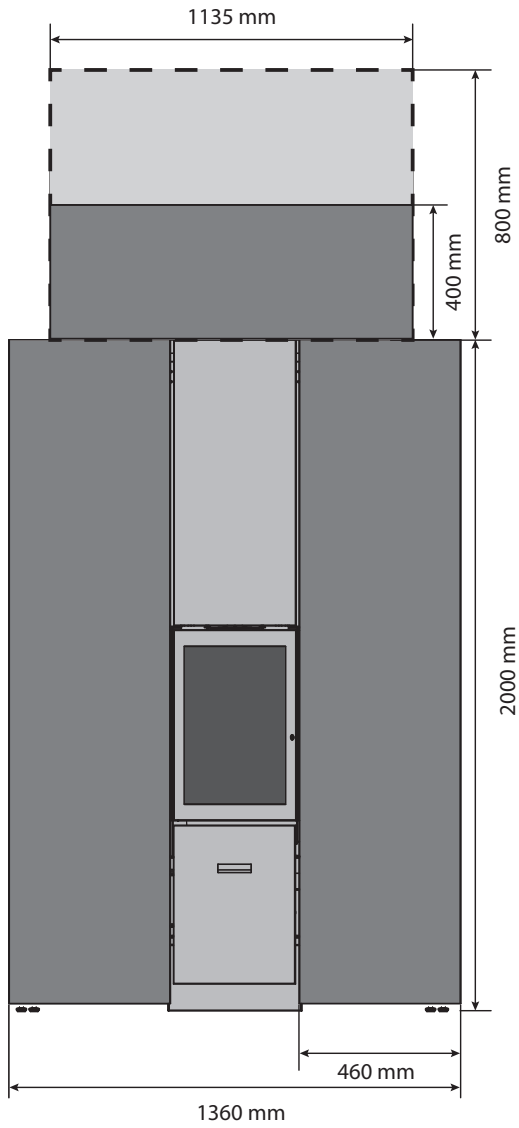
*Façade panels available in three widths: 280, 580 and 680 mm

30-compact in P | Cladding

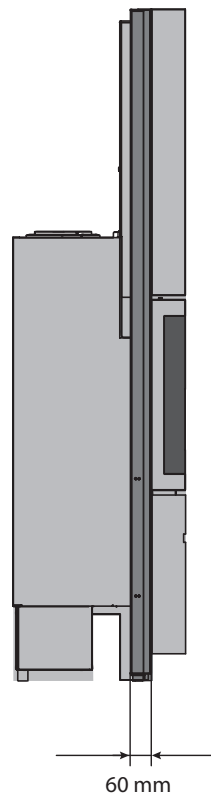


DIMENSIONS OF THE 30-COMPACT IN "P" - CORNER CLADDING

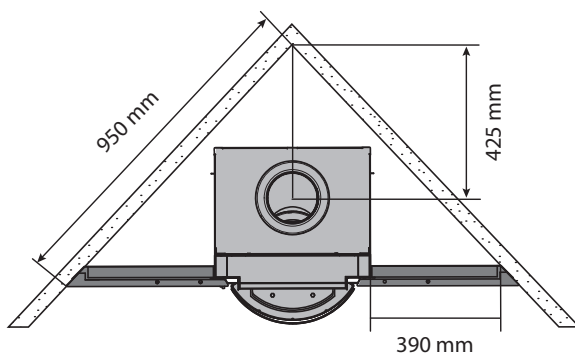
VIEW OF FRONT



VIEW OF PROFILE



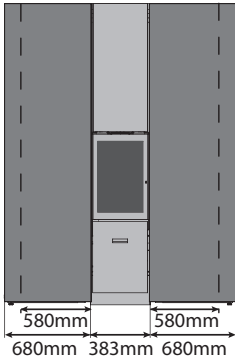
VIEW FROM ABOVE



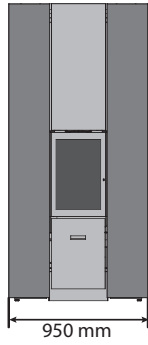
30-compact in P | Configurations



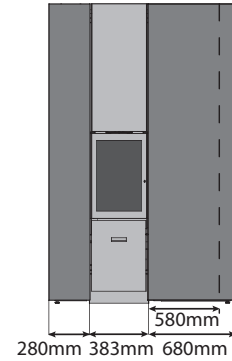
SYMMETRICAL WIDE



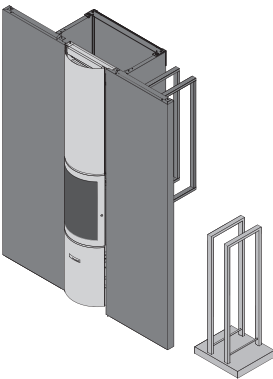
SYMMETRICAL NARROW



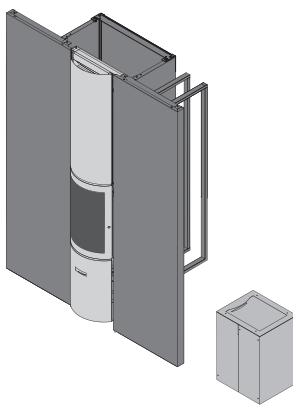
ASYMMETRIC RIGHT OR LEFT



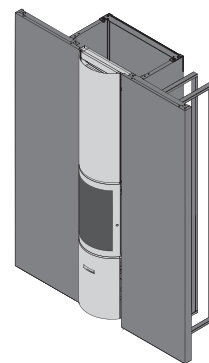
WIDE STRUCTURE + LOG STORAGE UNIT 900 MM + MOBILE LOG HOLDER



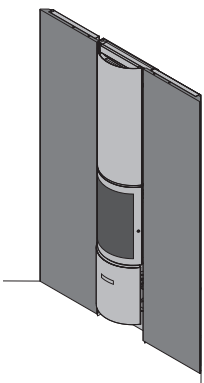
WIDE STRUCTURE + LOG STORAGE UNIT 1300 MM + MOBILOBOX



WIDE STRUCTURE + LOG STORAGE UNIT 1800 MM



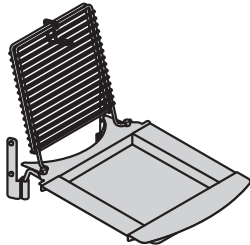
CORNER INSTALLATION



30-compact in P + accessories

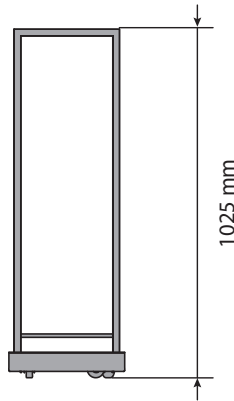


BARBECUE

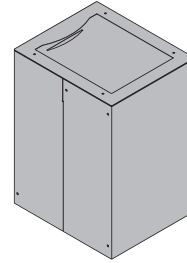


MOBILE LOG HOLDER 40 CM

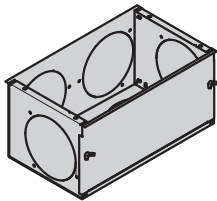
StuvGrey (ref. 11980503)



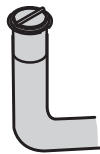
MOBILOBOX



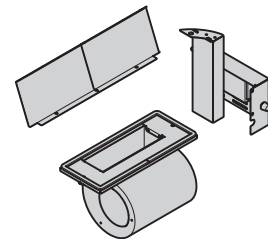
AIR CASE



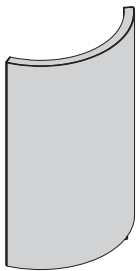
AIR INLET KIT



VENTILATION KIT



DOOR WITH AUTOMATIC CLOSING (OPTION BAUART 1)



GROUND PLATE

